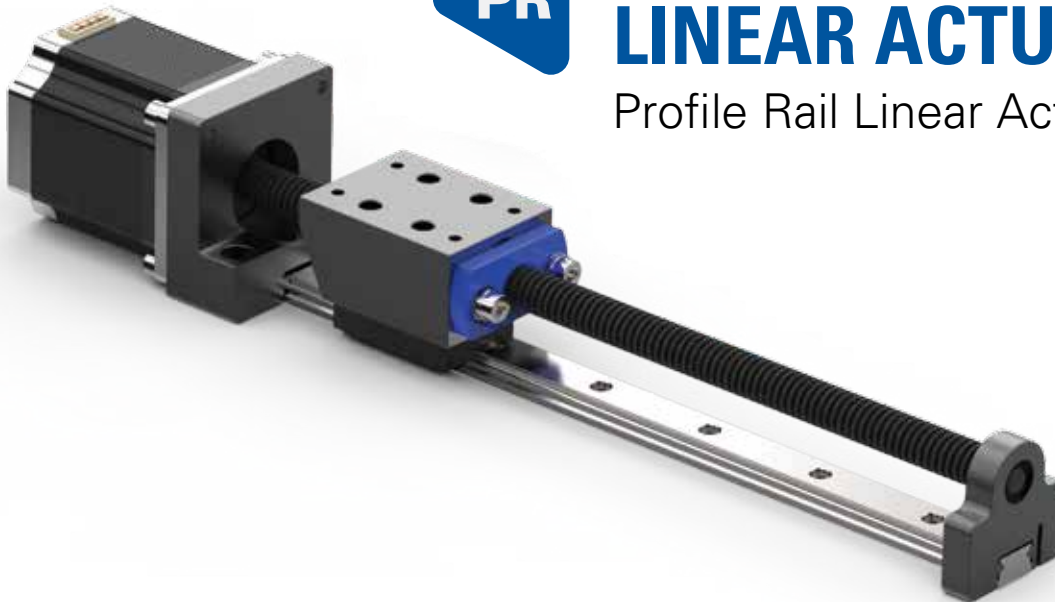


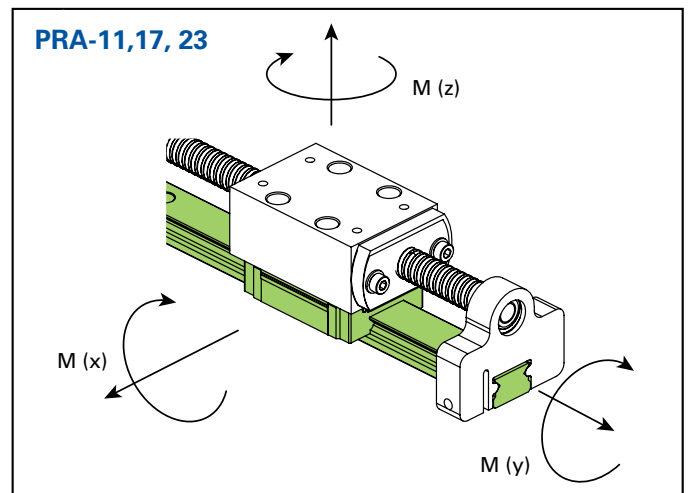
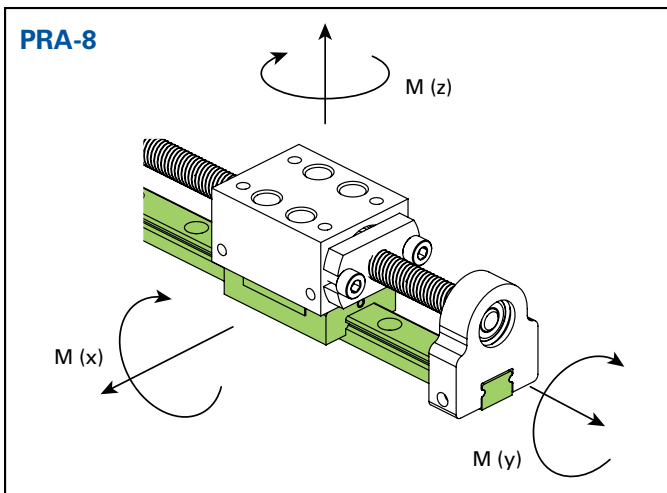


# LEAD SCREW LINEAR ACTUATORS

Profile Rail Linear Actuators



## CARRIAGE LOADS



	X	Y	Z	Normal Load
<b>PRA-8</b>	$M_x = 3.5 \text{ lb/in}$	$M_z = 3.5 \text{ lb/in}$	$M_z = 5.3 \text{ lb/in}$	$M_x = 890 \text{ lb/in}$
<b>PRA-11, 17, 23</b>	$M_x = 238.9 \text{ lb/in}$	$M_z = 238.9 \text{ lb/in}$	$M_z = 38.5 \text{ lb/in}$	$M_z = 3.810 \text{ lb/in}$

\* The above loads are MAX values. Consult our Application Engineers for more information.