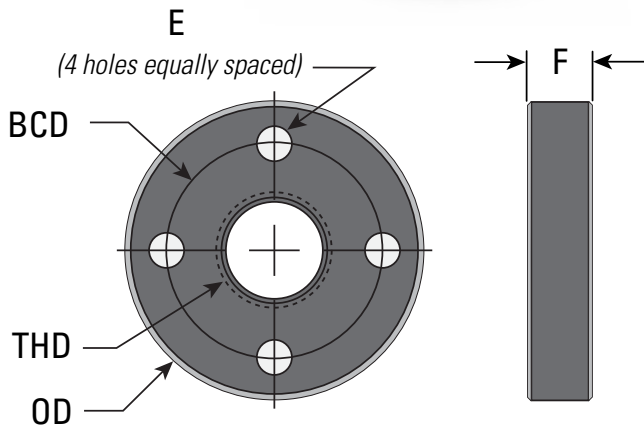
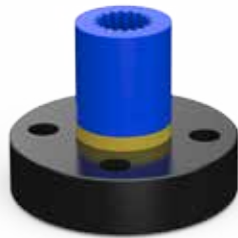




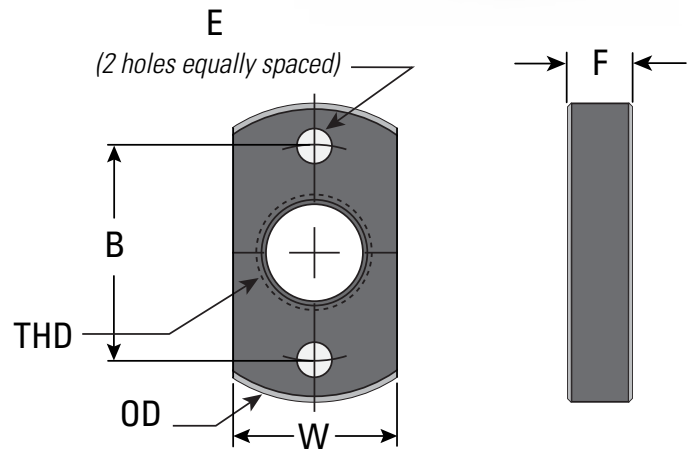
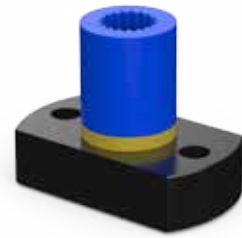
MINIATURE PRECISION TORQUE SPLINES

SPLINE FLANGES

Round Flange



Compact Flange



| Part Number | OD | E | BCD | F | THD |
|-------------|------|-------|-------|-------|----------------|
| HFS25 | 1.21 | 0.144 | 0.875 | 0.250 | 7/16" - 20 UNF |
| HFS37 | 1.46 | 0.177 | 1.063 | 0.375 | 9/16" - 20 UN |
| HFS50 | 1.95 | 0.266 | 1.375 | 0.500 | 3/4" - 20 UNEF |

| Part Number | OD | E | B | F | THD | W |
|-------------|------|-------|-------|-------|----------------|-------|
| HFSD25 | 1.21 | 0.144 | 0.875 | 0.250 | 7/16" - 20 UNF | 0.670 |
| HFSD37 | 1.46 | 0.177 | 1.063 | 0.375 | 9/16" - 20 UN | 0.800 |
| HFSD50 | 1.95 | 0.266 | 1.375 | 0.500 | 3/4" - 20 UNEF | 1.070 |

Flanges should be pinned or bonded to nuts to prevent separation during operation.